



## B75

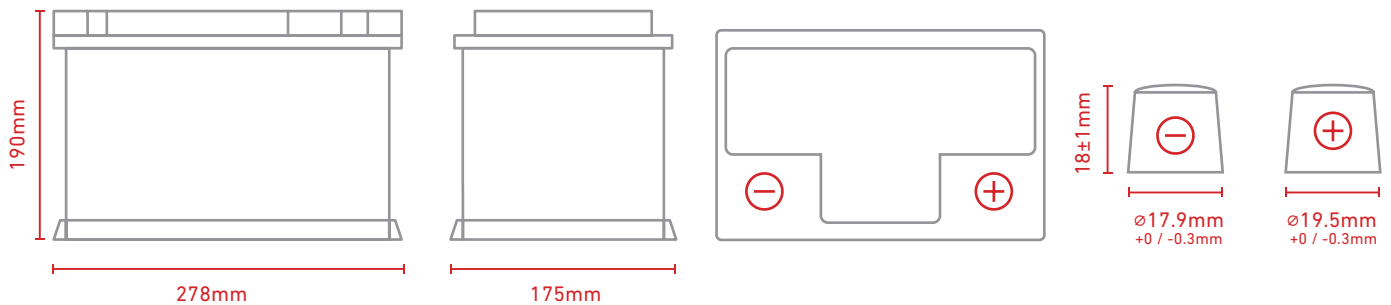
75Ah | 12V | 710A

### Electrical Specifications

Nominal voltage	12V
Nominal capacity (20h)	75Ah
CCA (-18°C)	710A
Energy (20h, 25C)	884Wh
Cranking power (10s, -18°C)	5.1kW

### Mechanical Specifications

Measurements (L x W x H)	278 x 175 x 190mm
Approx. weight	16.6kg
Base hold-down	B3 (f)
Layout / terminals	0 / 1
Polarity	DX
Technology	Flooded
Case material	PP/PE (black)
Lid material	PP/PE (black)



ANTI SPILLING SYSTEM



-18°C TESTED



FLAME ARRESTOR



95% RECYCLABLE



MADE IN EUROPE



MAINTENANCE-FREE



BUILT WITH GREEN ENERGY

