



C115 HD

115Ah | 12V | 850A

Electrical Specifications

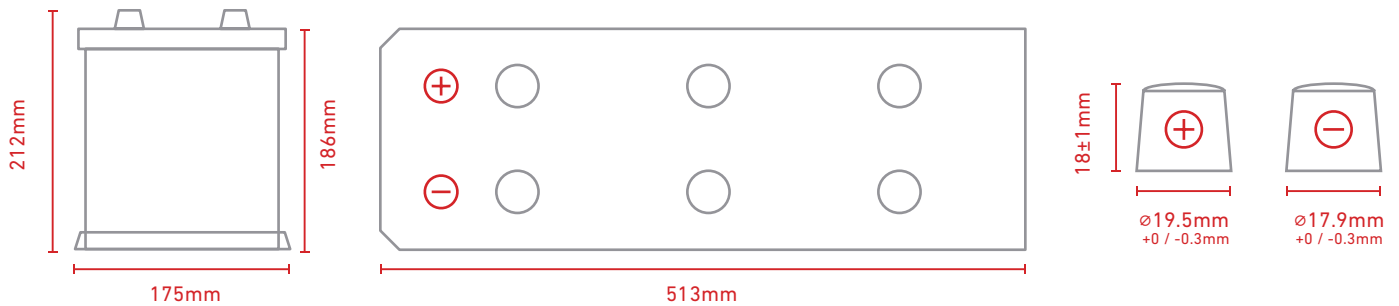
Nominal voltage	12V
Nominal capacity (20h)	115Ah (25°C, 10.5V)
CCA (EN -18°C)	850A
CCA (DIN -18°C)	480A

Properties

Electrolyte	H ₂ SO ₄
Electrolyte spec density (25°C)	1.28 ± 0.01g/cm ³
Number of plates	17 (8+, 9-)
Positive grid	PbSb
Negative grid	PbCa
Separator	PE (1.4mm)

Mechanical Specifications

Measurements (L x W x H)	513 x 175 x 212mm
Approx. weight	32.2kg
Base hold-down	B03
Layout	3
Terminal type	1
Plug	M27
Technology	Flooded/SLI
Case material	PP (black)
Lid material	PP (black)



VIBRATION RESISTANT



-18°C TESTED



LOW MAINTENANCE



95% RECYCLABLE



LONG LIFE



BUILT WITH GREEN ENERGY



MADE IN EUROPE

