



YTX5L-BS

5Ah | 12V | 100A

Electrical Specifications

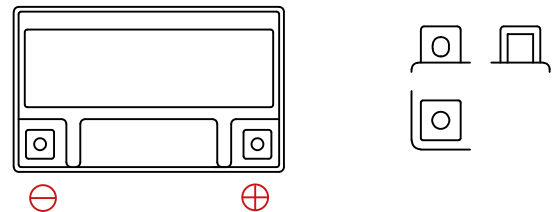
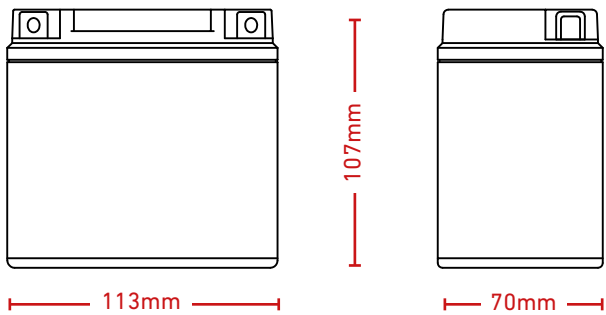
Nominal voltage	12V
Nominal capacity (25°C)	5Ah at 10h
CCA -18 °C	100A

Retention of Charge During Storage at 25°C		
1 month	97%	Directly mounted
3 months	90%	Directly mounted
6 months	80%	Constant voltage: 14.4V Limit current: 1.0A Charging time: 2 - 3h

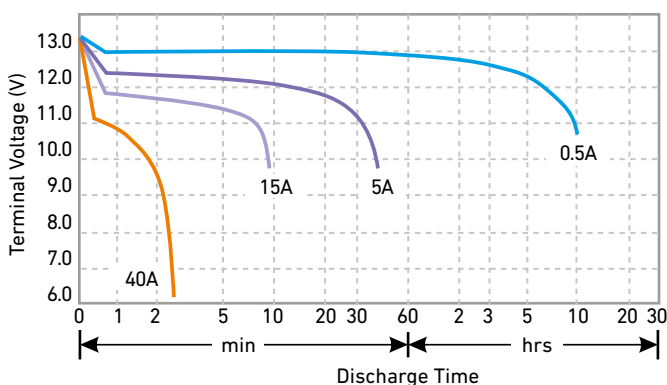
12 months	40%	Constant voltage: 14.4V Limit current: 1.0A Charging time: 4 - 6h
-----------	-----	---

Mechanical Specifications

Measurements (L x W x H)	113 x 70 x 107mm
Weight	1.64kg
Storage status	Wet
Cover	ABS
Terminal	C3
Container bottom	ABS
Positive plate	PbO ₂
Negative plate	Pb
Separator	AGM
Electrolyte	Diluted sulphuric acid
Safety valve	Rubber
Way of sealing	Epoxy resin



Discharge Current 25 °C



Residual Capacity

